



DWC-MB82i4V

1080P
 2.1MP 1080p Resolution at 30fps

2.1

Megapixel



4.0mm Fixed Lens



Smart DNR™



Smart IR™



True Day/Night



IP66 Rated

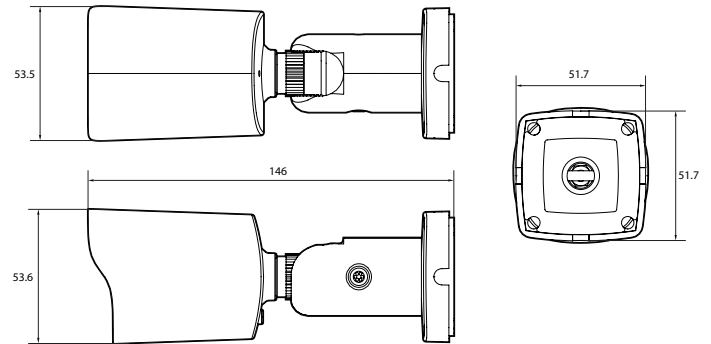
Summary

MEGApix® 2.1MP network cameras provide real-time 1080p High Definition video at 30fps. Advanced technologies include 40ft Smart IR™ and true Day/Night for clear images in challenging lighting conditions. A built-in Web-Server and user-friendly interface make these cameras easy to use. Power over Ethernet simplifies installation by providing both power and the network connection through a single cable. All cameras are ONVIF conformant, assuring their successful integration with other open platform video surveillance products. Housed in our attractive dome enclosure, these cameras provide the industry-leading benefits of MEGApix® technology at an affordable price.

Features

- 2.1 Megapixel Image Sensor (1080p, 30fps)
- Real-time 1080p 30fps High Definition
- Dual Codecs (H.264, MJPEG) with Simultaneous Streaming
- 4.0mm Fixed Lens
- Smart IR™ with Intelligent Camera Sync. 40ft Range
- True Day/Night with Mechanical IR Cut Filter
- Auto Gain Control (AGC)
- Back Light Compensation (BLC)
- Auto White Balance (AWB)
- Motion Detection
- Web Server Built-in
- PoE and DC12V
- OnVIF Compliant, Profile S
- Water Proof Cabling
- IP66 Certified (Weather Resistant)

Dimensions (unit : mm [inch])



Specifications



IMAGE	
Image Sensor	1/2.7" 2.1 M CMOS
Total Pixels	1930 x 1088
Minimum Scene Illumination	F2.0 (30IRE): 1.4 Lux [Color]
	F2.0 (30IRE): 0.00 Lux [B/W]
LENS	
Focal Length	4.0mm Lens, F2.0
Lens Type	Fixed Lens
IR Distance	40ft Smart IR™
Angle of View	82°
OPERATIONAL	
Shutter Mode	Auto
Shutter Speed	1/30(25)sec ~ 1/10,000sec
White Balance	Auto Indoor/Auto Outdoor/Push/Manual/Hold
Auto Gain Control	Max 64dB
Day and Night	Auto, Day, Night, Schedule
NETWORK	
LAN	802.3 Compliance 10/100 base T LAN
Video Compression Type	H.264, MJPEG
Resolution	1080p / D1 / VGA / CIF / QVGA
Frame Rate	1-30fps
Streaming Capability	Multi Streaming CBR/VBR (Controllable frame rate and Bandwidth)
IP	IPv4, IPv6
Protocol	ONVIF, TCP/IP, UDP/IP, RTP(UDP), RTP(TCP), RTSP, NTP, HTTP, DNS, DDNS, DHCP
Maximum User Access	4 Users
OnVIF Conformance	OnVIF Profile S
Web Viewer	Browser: Internet Explorer, Google Chrome, Firefox OS: Windows 7
ENVIRONMENTAL	
Operating Temperature	-10°C ~ 50°C (14°F ~ 122°F)
Operating Humidity	Less than 90% (Non-Condensing)
IP Rating	IP66
Other Certifications	FCC, CE, ROHS
ELECTRICAL	
Power Requirements	DC 12V, POE IEEE 802.3af Class 2
Power Consumption	LED Off: 2.0W, 165mA
	LED On: 3.2W, 260mA
MECHANICAL	
Material	Aluminum Die-casting
Dimensions	5.74 x 2.11 in (146 x 53.6mm)
Weight	0.66lbs (300g)